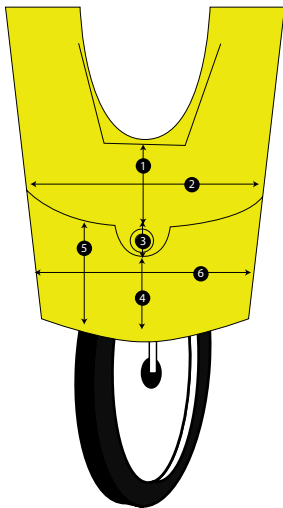
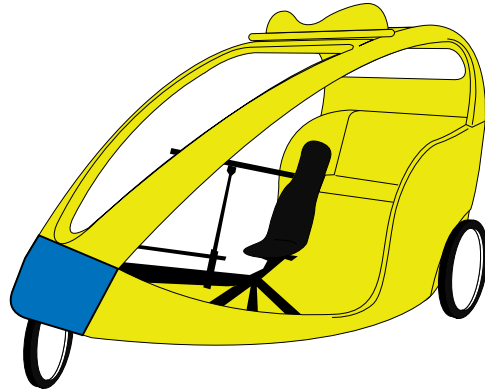


BicyTaxi Wraps

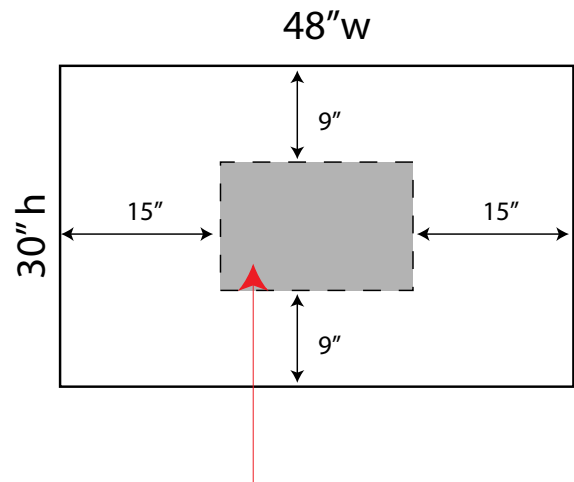
Due to the number of angles and curves on the vehicle, full wrap registration is not an option. Please set up graphics within safety areas designated, place elements on a common solid color or small pattern background and bleed background to edge of document. Avoid gradations or text which require registration of the full unit.



Front Panel

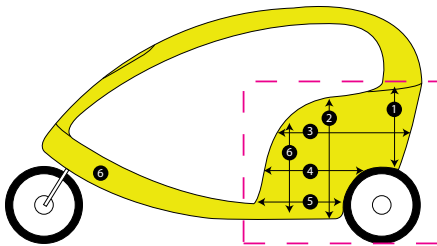
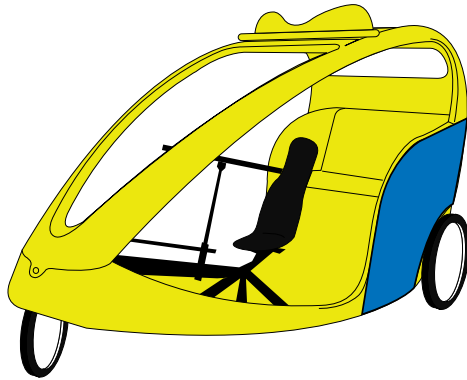


- 1 6.5"
- 2 21"
- 3 2.125"
- 4 4.25"
- 5 8.25"
- 6 20"

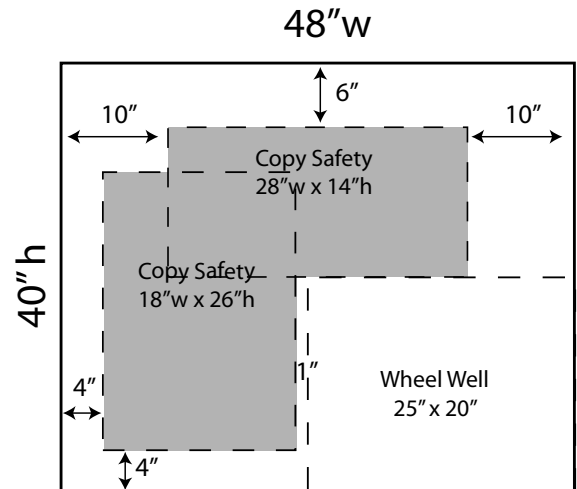


Copy Safety is 18" w x 12" h
Elements within safety
Place bleed background to fill document

Left Panel



- 1 20.5"
- 2 36"
- 3 42.5"
- 4 28"
- 5 23"
- 6 30"



Copy Safety

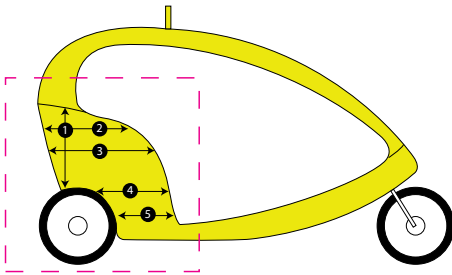
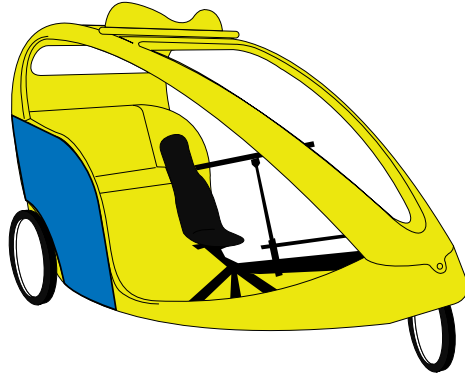
Option 1: 28" w x 14" h

Option 2: 18" w x 26" h

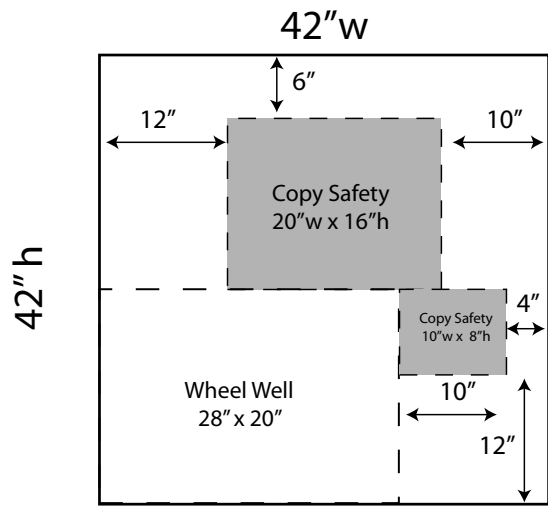
Position Elements inside safety.

Bleed Background color to fill full 40" x 48" document.

Right Panel

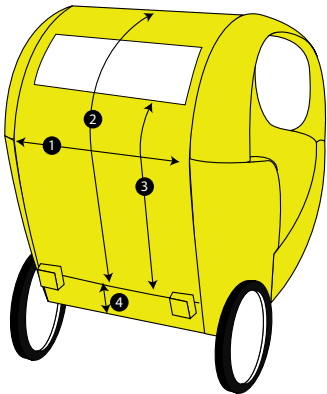
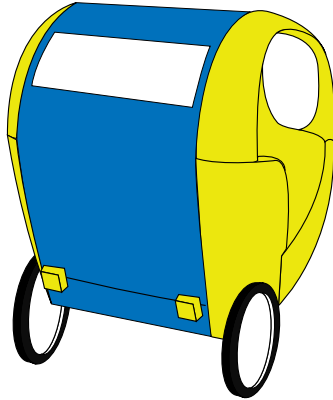


- ❶ 21.5"
- ❷ 29"
- ❸ 29.5"
- ❹ 17.5"
- ❺ 10"

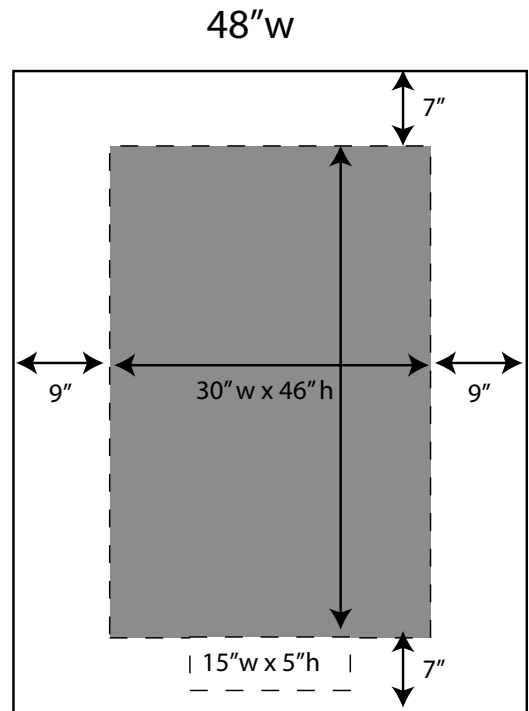


Copy Safety is 20" w x 16" h
 Bleed background color to fill
 42" x 42" Document.
 Additional elements may be placed in
 10"w x 8"h box in front of wheel well.

Back Panel



- ① 31.25
- ② 53"
- ③ 35"
- ④ 7"



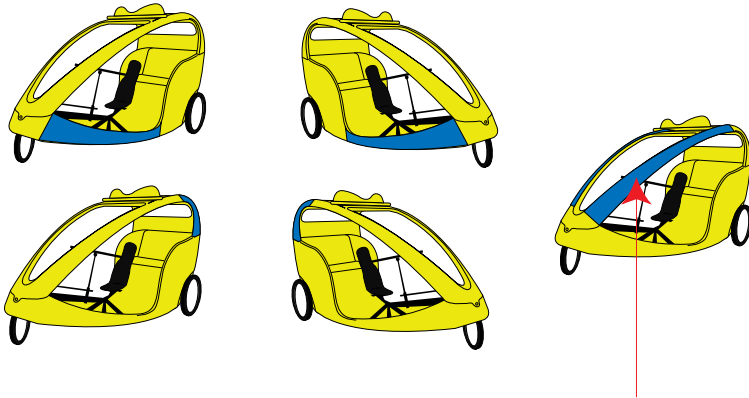
Copy Safety is 30" w x 46" h
 Below window safety is 30" x 34"
 Tail light safety is 15"w x 5"h
 Place elements in safety
 Bleed background to fill document

Background Panel

The background panel is designed for the best use of material & to give the installer some freedom in how he wants to cut it up to cover the top & bottom curves as well as blank area. Set up one 48" X 120" document with the same background color or small pattern used on other panels.

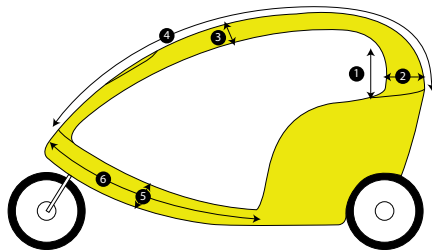
Please note: Pattern cannot be registered - Must be small or random elements

48"w



Optional Text, Place Here
For optional text line, Supply Illustrator file
not to exceed 95" w x 4" h

120"h



- ① 18.5
- ② 13.25"
- ③ 4.5"
- ④ 136"
- ⑤ 9"
- ⑥ 65"