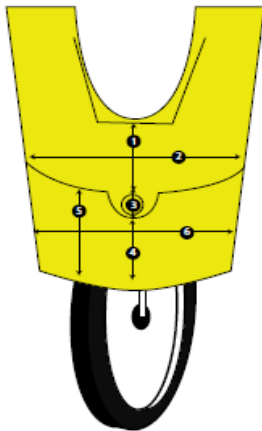
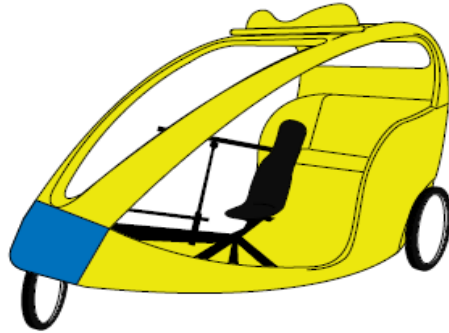


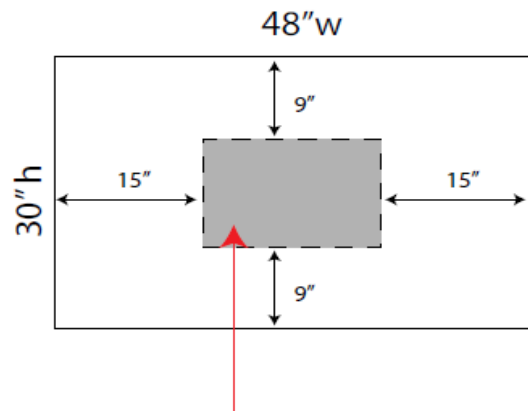
# ***BicyTaxi Wraps***



# Front Panel

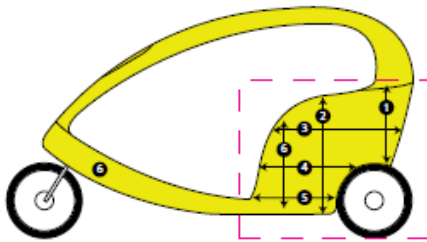
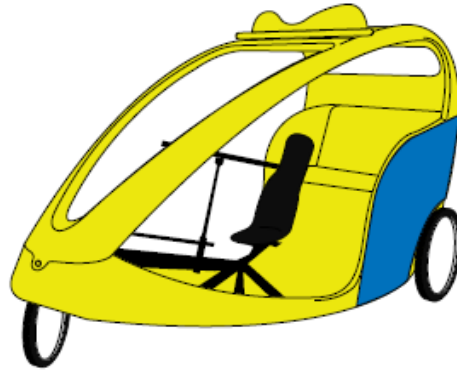


- 1 6.5"
- 2 21"
- 3 2.125"
- 4 4.25"
- 5 8.25"
- 6 20"

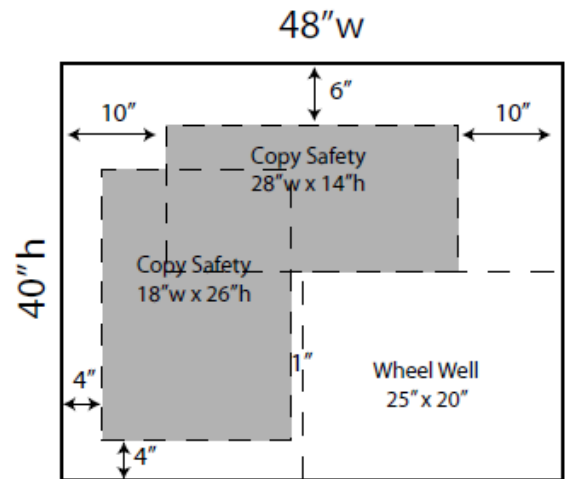


Copy Safety is 18" w x 12" h  
Elements within safety  
Place bleed background to fill document

# Left Panel

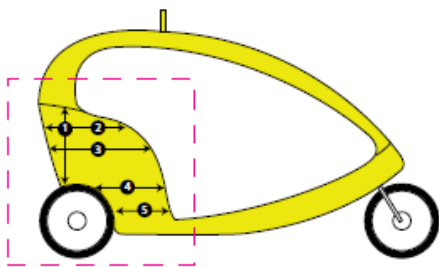


- 1 20.5"
- 2 36"
- 3 42.5"
- 4 28"
- 5 23"
- 6 30"



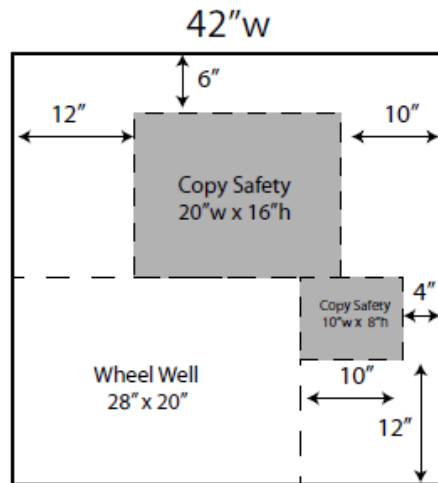
Copy Safety  
Option 1: 28" w x 14" h  
Option 2: 18" w x 26" h  
Position Elements inside safety.  
Bleed Background color to  
fill full 40" x 48" document.

# Right Panel



- 1 21.5"
- 2 29"
- 3 29.5"
- 4 17.5"
- 5 10"

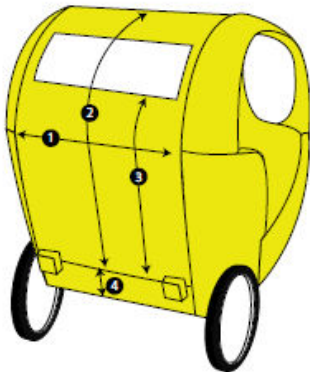
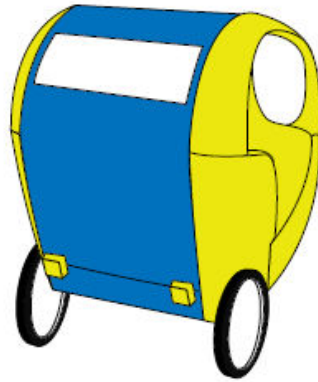
42" h



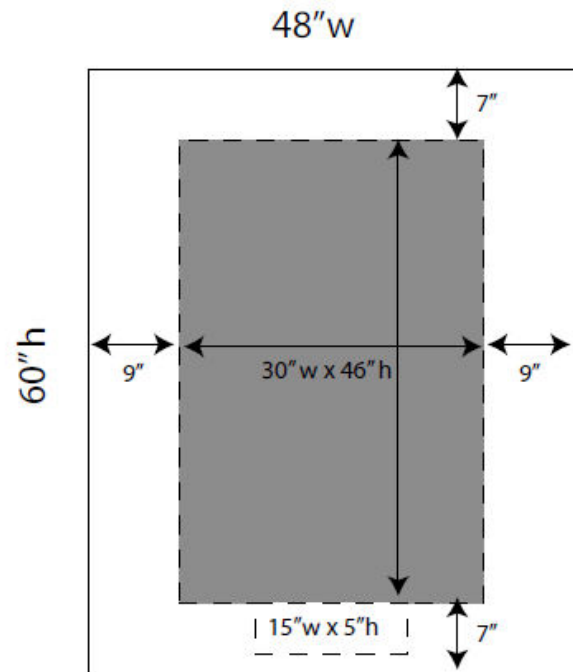
Copy Safety is 20" w x 16" h  
Bleed background color to fill  
42" x 42" Document.

Additional elements may be placed in  
10" w x 8" h box in front of wheel well.

# Back Panel



- 1 31.25
- 2 53"
- 3 35"
- 4 7"

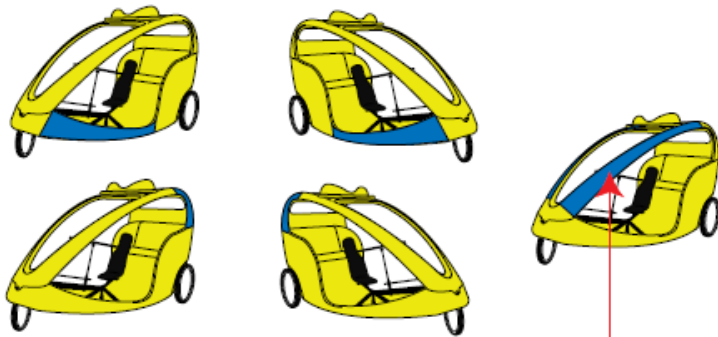


Copy Safety is 30" w x 46" h  
Below window safety is 30" x 34"  
Tail light safety is 15" w x 5" h  
Place elements in safety  
Bleed background to fill document

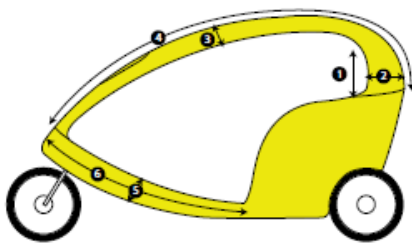
# Background Panel

The background panel is designed for the best use of material & to give the installer some freedom in how he wants to cut it up to cover the top & bottom curves as well as blank area. Set up one 48" X 120" document with the same background color or small pattern used on other panels.

Please note: Pattern cannot be registered - Must be small or random elements



Optional Text, Place Here  
For optional text line, Supply Illustrator file  
not to exceed 95" w x 4" h



- 1 18.5
- 2 13.25"
- 3 4.5"
- 4 136"
- 5 9"
- 6 65"

48"w

120" h

